

Short-circuit Unit

G32A-D

Allows 2-wire Switching of 3-phase Power

- Ideal for 2-wire switching of 3-phase heaters.
- Improves ease of operation.

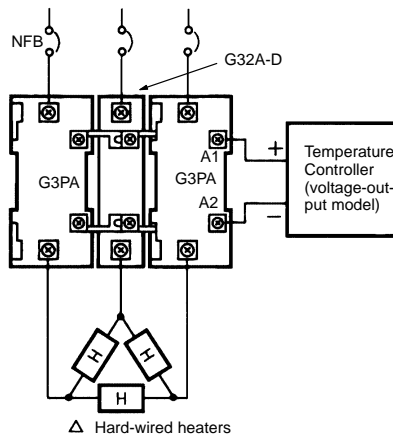


Ordering Information

Name	Current flow	Applicable SSR	Model
Short-circuit Unit	10 A	G3PA-210B-VD	G32A-D20
	20 A	G3PA-220B-VD G3PA-420B-VD	
	30 A	G3PA-430B-VD	G32A-D40
	40 A	G3PA-240B-VD	

Note: Refer to page 27 for details of applicable standards.

Application Examples



Note: When performing 2-wire switching of 3-phase power, the leakage current that is generated when the SSR with the shorted phase is turned OFF will increase by a factor of 1.7.

ALL DIMENSIONS SHOWN ARE IN MILLIMETERS.

To convert millimeters into inches, multiply by 0.03937. To convert grams into ounces, multiply by 0.03527.