

## Voltage Detection Unit

## G32A-C

### Prevents G3PA Malfunction

- Connects to a maximum of two G3PA-VD Relays.
- Prevents malfunction of the G3PA-VD due to residual voltage, leakage current, or input noise.



### Ordering Information

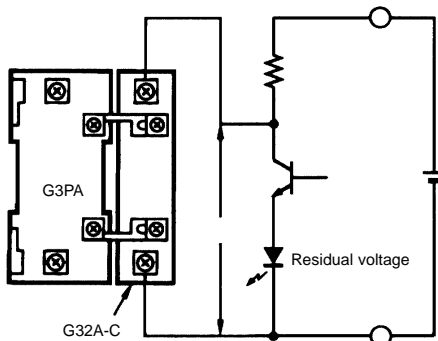
Name	Rated input voltage	Model
Voltage Detection Unit	12/24 VDC	G32A-C

**Note:** Refer to page 27 for details of applicable standards.

### Application Examples

- The G32A-C can be used to prevent malfunction due to residual voltage, leakage current, and input noise.

#### Residual Voltage



In rated operation, the G3PA turns ON at 4 V max. Ordinarily, the G3PA might turn ON if the residual voltage in transistor circuits exceeds 3 V. (The G32A-C makes voltage output at voltages exceeding 9.6 V.)

- The G32A-C can be used to improve the synchronization of input signals during 3-phase load switching.
- The G32A-C can be used to fix the trigger voltage when using a timing circuit.

## Specifications

### ■ Ratings

Item		Specifications
Rated input voltage		12/24 VDC
Rated input current	One G3PA	8 mA max. (when 24 VDC applied)
	Two G3PAs	1.4 mA max. (when 24 VDC applied)
Must-operate voltage		9.6 V $\pm$ 10%
Reset voltage		5 V min.
Output voltage		12 VDC $\pm$ 15%

### ■ Characteristics

Item	Specifications
Input voltage range	10.2 to 30 VDC
Operating time	1 ms max.
Reset time	1 ms max.
Vibration resistance	10 to 55 Hz, 0.75-mm double-amplitude (when mounted using screws)
Shock resistance	300 m/s <sup>2</sup> (approx. 30 G)
Ambient temperature	Storage: -30 to 100°C (with no icing or condensation) Operating: -30 to 80°C (with no icing or condensation)
Ambient operating humidity	45% to 85%
Weight	Approx. 65 g